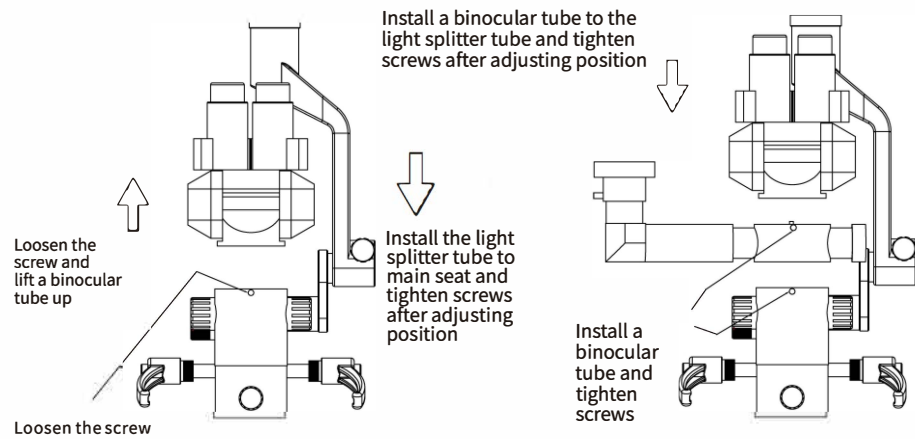


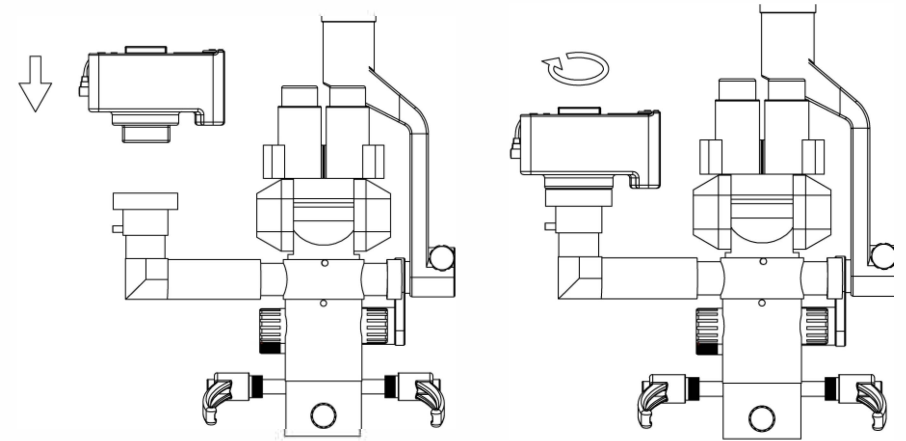
alandental.com

Camera installation instructions

Install the light splitter tube

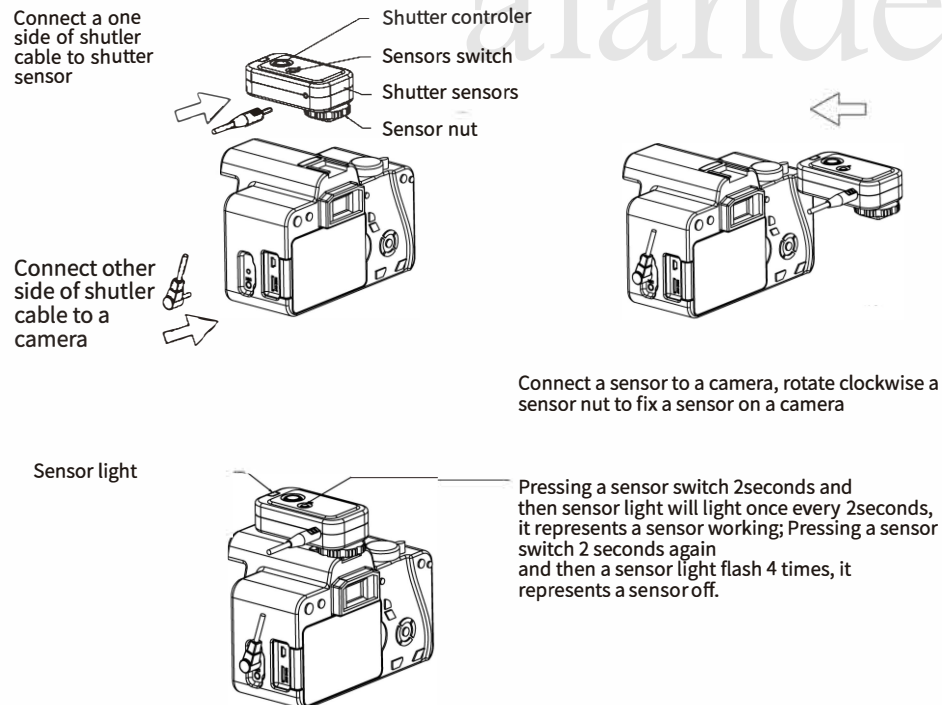


Install a camera

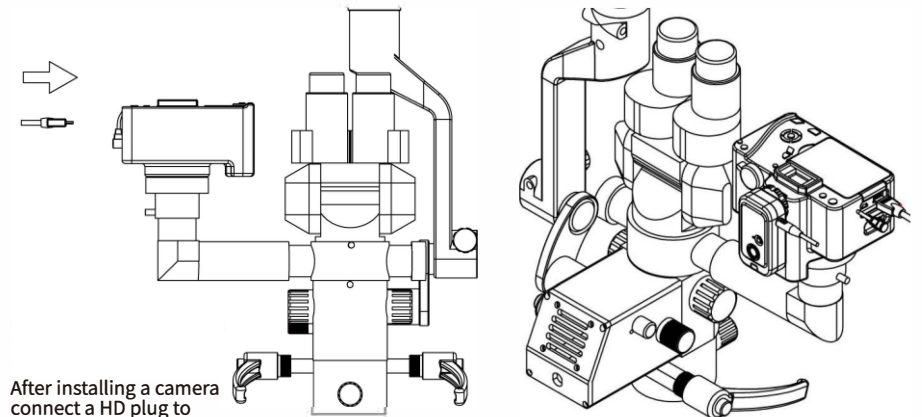


Install a camera to the light splitter tube (Aim at snap points when the camera install to a snap joint and then rotate a camera until hear a sound of "ka" a camera installation is ok)

Install a shutter sensor



Cable of camera



After installing a camera connect a HD plug to HDMI OUT of a camera and connect a power

Note:Please refer to the corresponding instruction manual for the adjustment and use of the camera.